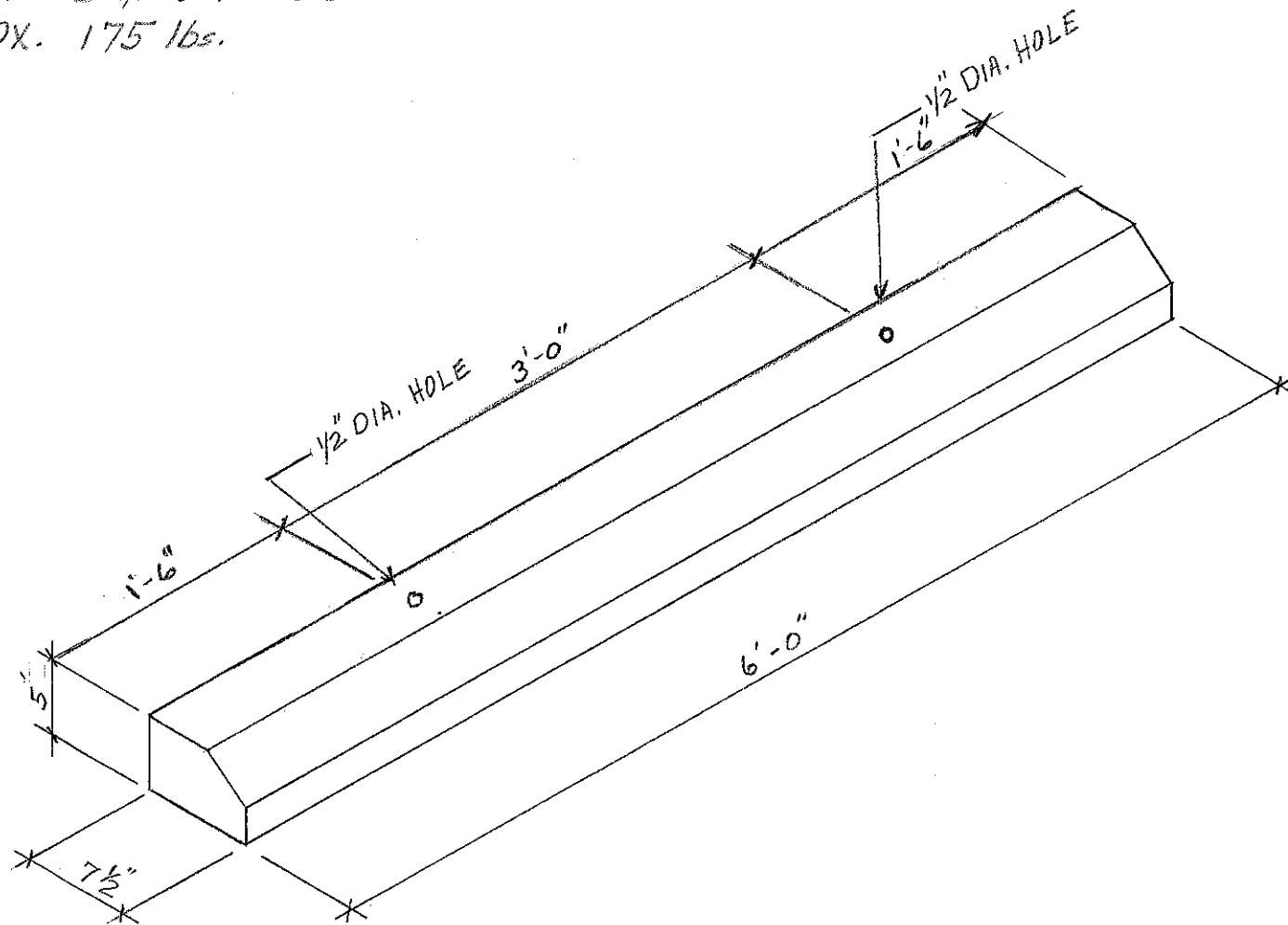


MIX: 6 1/2 SK. CEMENT, 27 1/2 ROCK

REBAR: 2 Pcs. @ 1/2" DIA. x 5'-0"

WT: APPROX. 175 lbs.



6' CONCRETE BUMPER CURB

SCALE: 1" = 1'-0"

SALINA CONCRETE PRODUCTS
SALINA, KANSAS