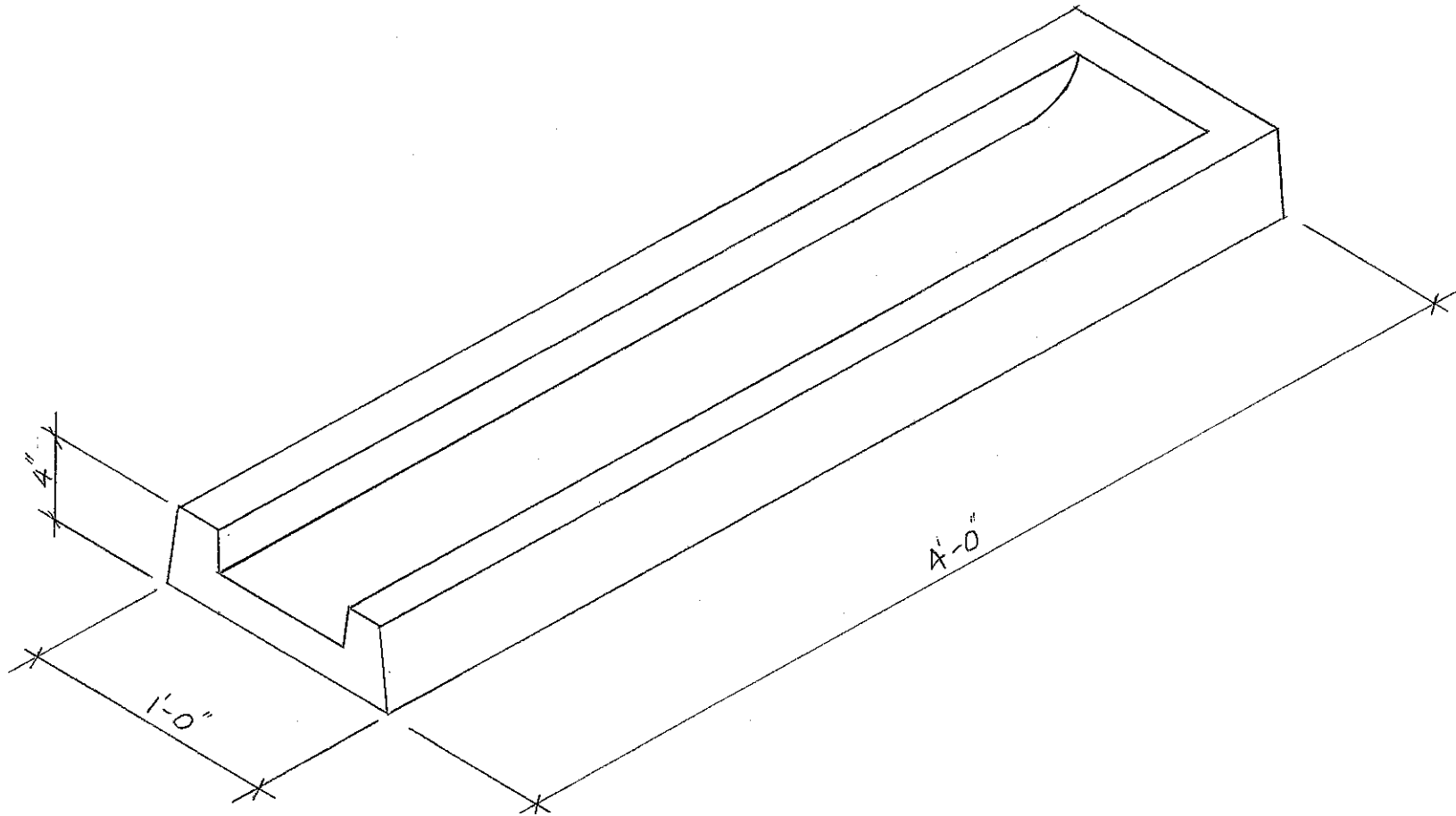


MIX : 6 1/2 SK. CEMENT, 27% ROCK

REBAR : 2 Pcs. @ 1/2" DIA. x 42"

WT APPROX. 180 lbs.



CONCRETE SPLASHBLOCK

SCALE : 1 1/2" = 1'-0"

SALINA CONCRETE PRODUCTS
SALINA, KANSAS