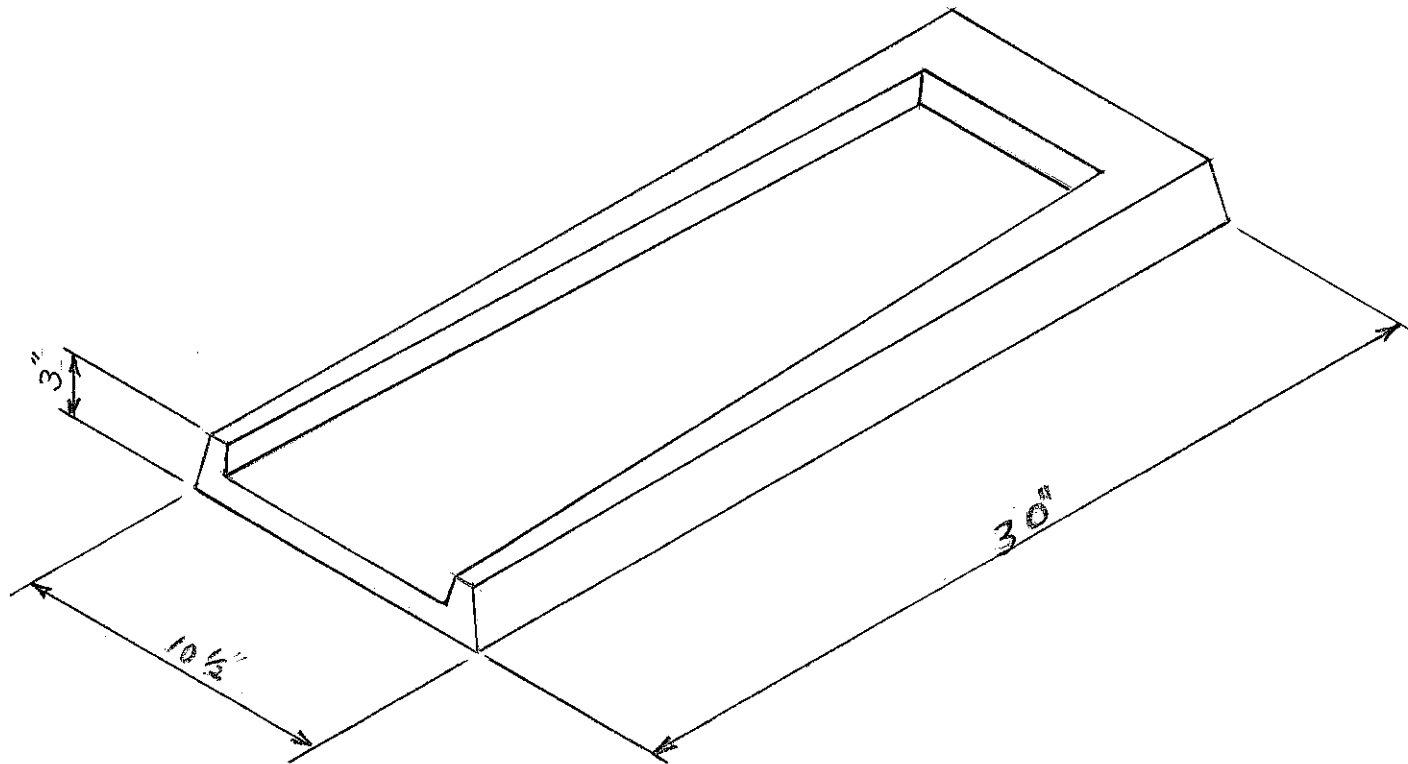


CONCRETE MIX: 6 SACK - 27% ROCK

REBAR: 2 PCS. #4 DIA.

REINFORCEMENT: FIBER MESH

WEIGHT: 70 LBS



SALINA CONCRETE PRODUCTS
SALINA, KANSAS