

# Salina Concrete

## PRODUCTS

SINCE 1913

### CONSTRUCTION MATERIALS AND ACCESSORIES

Telephone (785) 827-7281 / Fax (785) 827-8009, P.O. Box 136 / Salina, KS 67402-0136

Toll Free 888-297-9214 / sales@salinaconcreteproducts.com

www.salinaconcreteproducts.com

## Precast Concrete Septic Tanks

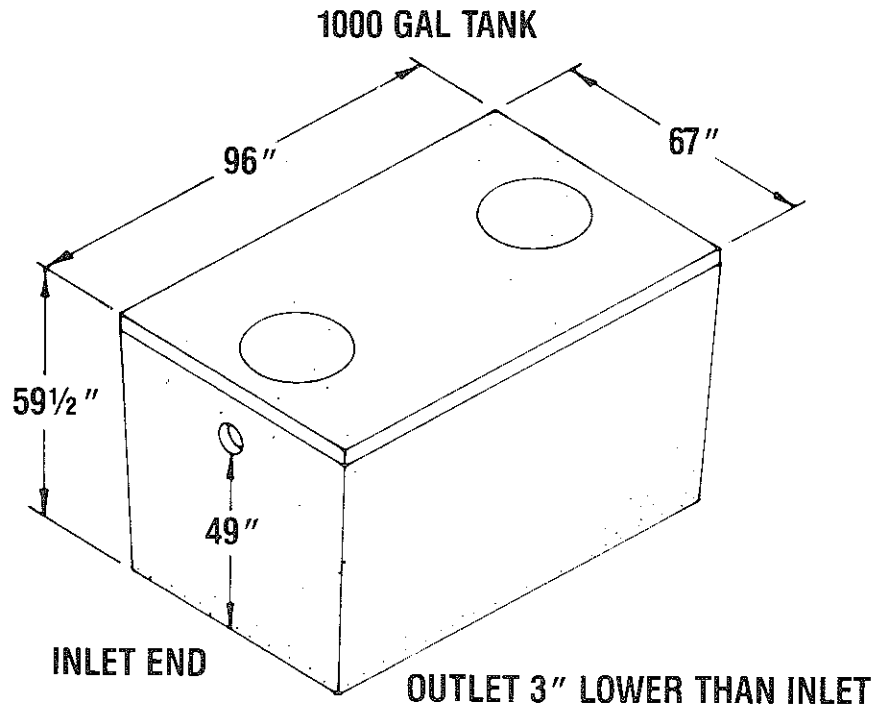
“BUILT FOR PERMANENCE”

### Ready-Mixed Concrete Haydite and Concrete Products

Aggregate  
Cement  
Blocks  
Concrete Brick  
Haydite Brick  
Retaining Wall Blocks  
Patio Blocks  
Splash Blocks  
Hewn Stone  
Precast Concrete  
Septic Tanks  
Fenceline Bunks  
Slabs  
Stepping Stones  
Concrete Paving Stones

### Building Materials

Face Brick  
Reinforcing Steel  
Reinforcing Mesh  
Blok-Mesh  
Ceco Steel Doors  
Ceco Steel Door Frames  
Vestal Fireplaces  
Surface Bonding Cement  
Form Hardware  
Visqueen Film  
Expansion Joint  
Concrete Nails  
Wall Ties  
Bar Ties  
Basement Windows  
Areawalls  
Epoxy Adhesives  
Heat Circulating Fireplace  
Dampers  
Cleanout Doors  
Thoro Waterproofing  
Bilco Basement Doors  
Glass Block  
Construction Tools



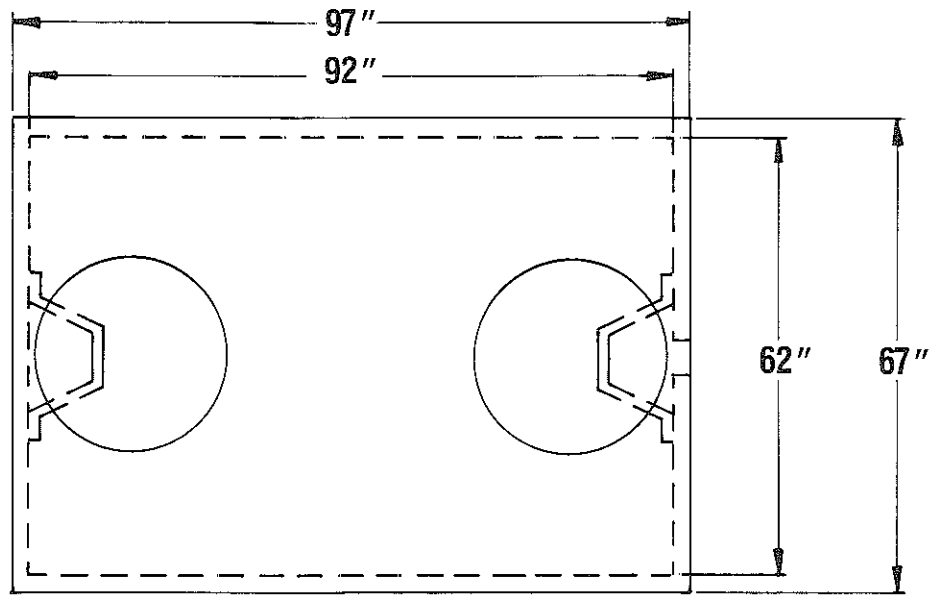
- KANSAS STATE CERTIFIED
- 1 PC TANK CONSTRUCTION — NO SEAMS OR JOINTS
- 2-20" STARTER RISERS W-LIDS ADDITIONAL RISERS AVAILABLE AS NEEDED
- POLYETHELENE BAFFLES
- HIGH STRENGTH CONCRETE, REINFORCED WITH STEEL
- DELIVERED AND PLACED BY CONVENIENT UNLOADING TRUCK
- WEIGHT 7,360 LBS

Excavation for placing tank should be 1 foot wider and longer than size of tank.

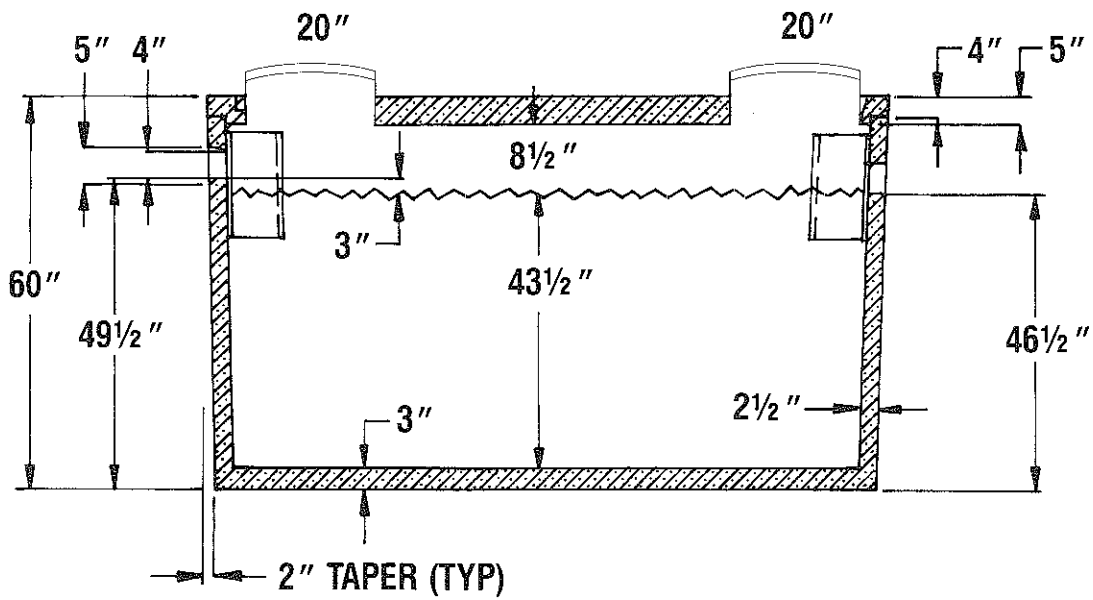
Depth adjusted to depth desired for drain tile line.

SEE BACK OF PAGE PLEASE





**TOP VIEW**



**SIDE VIEW**